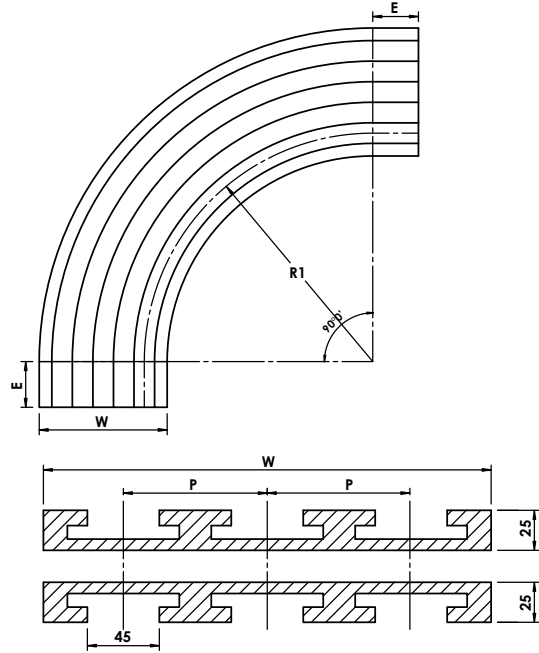
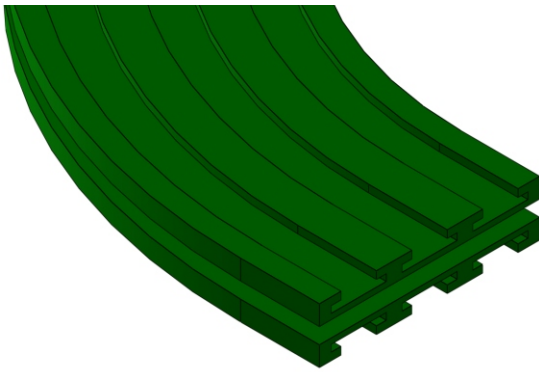




880 TAB & 881 TAB CORNER TRACK



Material : UHMWPE

Color : ●●

SP-880T & 881T CORNER TRACK

Chain Type	Tracks	Width (W)
K325 PITCH (P) - 85 mm RADIUS (R1) - 500, 610,650,800,1000 E = 50 & 100 mm	1	100
	2	185
	3	270
	4	355
	5	440
	6	525

Chain Type	Tracks	Width (W)
K450 PITCH (P) - 120 mm RADIUS (R1) - 610, 650,800,1000 E = 50 & 100 mm	1	130
	2	250
	3	370
	4	490
	5	610
	6	730

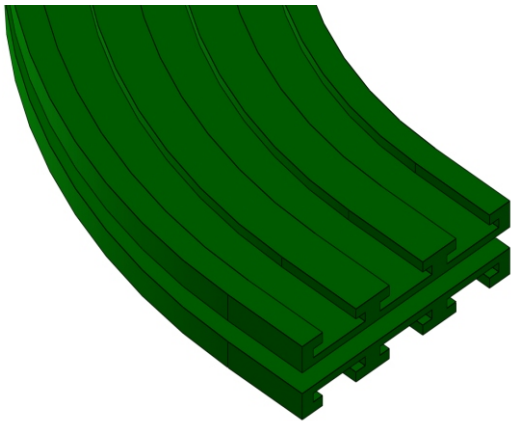
Chain Type	Tracks	Width (W)
K750 PITCH (P) - 195 mm RADIUS (R1) - 610, 650,800,1000 E = 50 & 100 mm	1	200
	2	395
	3	590
	4	785

Total track width = (p x (no.of track -1))+ Basic width

Basic width = single track width

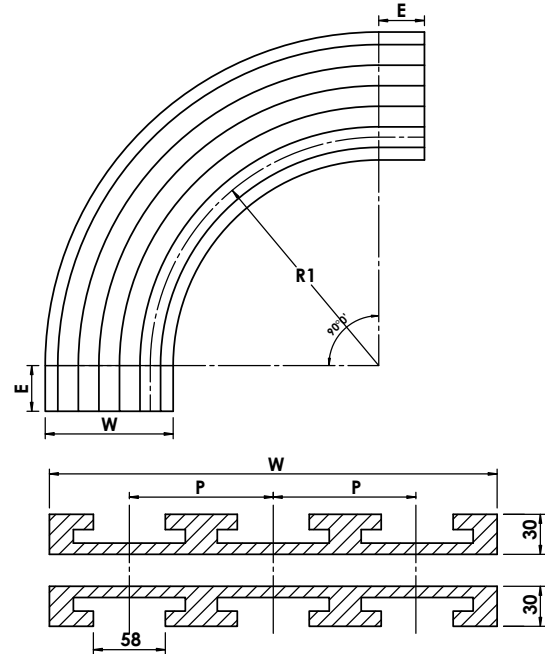


882 TAB CORNER TRACK



Material : UHMWPE

Color : ● ●



SP-882 TAB CORNER TRACK

Chain Type	Tracks	Width (W)
K450 PITCH (P) - 120 mm RADIUS (R1) - 610, 650,800,1000 E = 50 & 100 mm	1	130
	2	250
	3	370
	4	490
	5	610
	6	730

Chain Type	Tracks	Width W
K750 PITCH (P) - 195 mm RADIUS (R1) - 610, 650,800,1000 E = 50 & 100 mm	1	200
	2	395
	3	590
	4	785

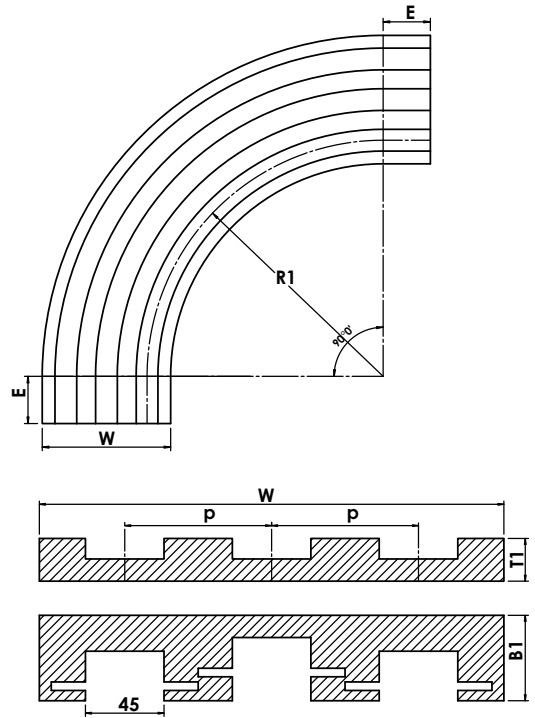
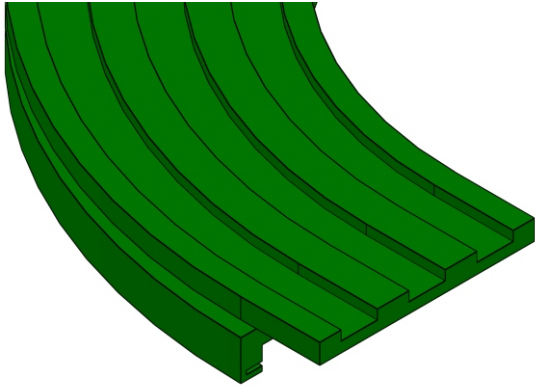
Chain Type	Tracks	Width W
K1000 PITCH (P) - 260 mm RADIUS (R1) - 610, 650,800,1000 E = 50 & 100 mm	1	270
	2	530
	3	790
	4	1050

Chain Type	Tracks	Width W
K1200 PITCH (P) - 310 mm RADIUS (R1) - 610, 650,800,1000 E = 50 & 100 mm	1	320
	2	630
	3	940
	4	1250

Total track width = (p x (no.of track -1))+ Basic width
Basic width = single track width



880M & 881M CORNER TRACK



Material : UHMWPE

Color : ●●

SP-880M & 881M CORNER TRACK

Chain Type	Tracks	Width (W)	Thickness	
			T1	B1
K325 PITCH (P) - 85 mm RADIUS (R1) - 500, 610,650,800,1000 E = 50 & 100 mm	1	100	27	55
	2	185	27	63
	3	270	27	63
	4	355	27	63
	5	440	27	63
	6	525	27	63

Chain Type	Tracks	Width (W)	Thickness	
			T1	B1
K450 PITCH (P) - 120 mm RADIUS (R1) - 500, 610,650,800,1000 E = 50 & 100 mm	1	129	27	63
	2	249	27	63
	3	369	27	63
	4	489	27	63

Chain Type	Tracks	Width (W)	Thickness	
			T1	B1
K750 PITCH (P) - 196 mm RADIUS (R1) - 610, 750, 860, 1000 E = 50 & 100 mm	1	214	27	63

Total track width = (p x (no.of track - 1)) + Basic width
Basic width = single track width